

Internal Combustion Pneumatic Tire Lift Trucks

4.0 - 5.5 tonnes



GP40N1-GP55N1/ DP40NM1-DP55NM1 Series

Cat® lift trucks set the standard for the ultimate lifting experience. Exceptional comfort, durable construction and industry-leading customer service make these trucks the only choice for your material handling needs. The new line of 4.0 - 5.5 tonnes. internal combustion pneumatic tire lift trucks from Cat® Lift Trucks follows in that tradition, with a wide range of standard features and application options to meet your needs.

Function. This lift truck thrives in lumber, cement, pipe and heavy-duty applications where its strength can effectively be put to the test. The spacious operator compartment, combined with powerful performance, results in an operator who is comfortable, alert and productive during long shifts.

Air Quality. These rugged lift trucks provide excellent horsepower and torque while meeting EPA and CARB requirements for carbon monoxide (CO), hydrocarbons (HC) and nitrogen oxide (NOx) emissions.

Added Protection. The dependable Presence Detection System (PDS) and excellent visibility help protect your operator and equipment.



Comfortable Operation

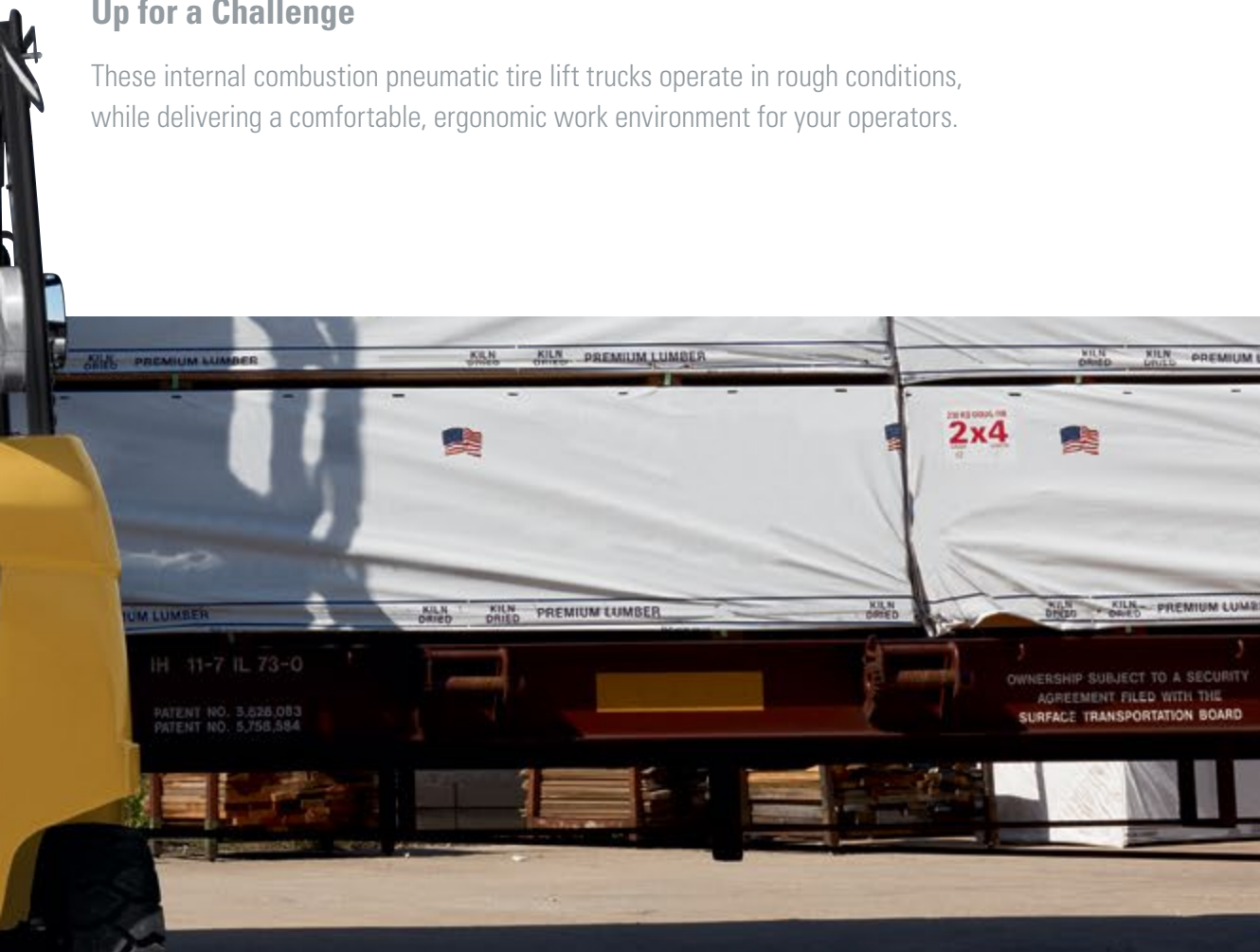
Operators of varying sizes can work long shifts comfortably in the standard full-suspension seat. An optional swivel seat and rear grab handle with horn button is available for high-shuttle applications.



Adjustable seating for increased comfort

Up for a Challenge

These internal combustion pneumatic tire lift trucks operate in rough conditions, while delivering a comfortable, ergonomic work environment for your operators.

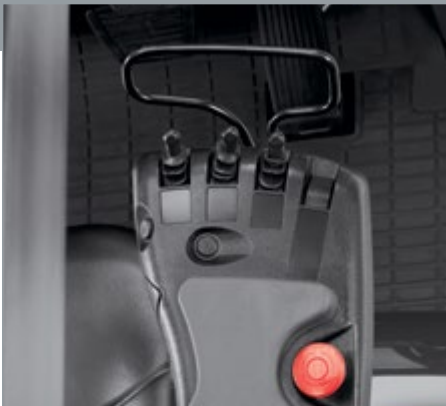


Consider The Options

A wide variety of options are available to customize the lift truck for operator preference or premium comfort, including fingertip hydraulic controls, panel cabs for harsh environments and awareness enhancement packages.

Premium Display Panel

The standard premium LED/LCD display provides a number of productivity-enhancing tools to the operator. Features such as an operator passcode system and maintenance interval reminders help ensure that the truck is running at peak performance.



Control at your fingertips



Optimized display panel raises awareness

Legendary Performance

These rugged lift trucks can be counted on to carry the load in the toughest applications. From the powerful engines to the durable masts, the GP40N1-GP55N1/DP40NM1-DP55NM1 Series is built to perform.



Environmentally-Friendly Engines

The GCT GK45 petrol and the S6S diesel engines work in the toughest conditions, while offering excellent fuel economy and low noise and vibration. A standard engine protection system (EPS) monitors performance and helps protect the system from damage.

Total Control

The standard two-speed forward, one-speed reverse transmission gives you the power and control you need to handle the toughest loads. Optional ProShift™ provides additional protection against transmission wear.



High fuel efficiency, low noise levels



Low-effort movement



Optimized Visibility

Narrow mast channels and open overhead guard helps improve operator visibility to the load and surroundings. Standard LED work lights illuminate the work area while providing significant maintenance savings over traditional halogen or incandescent lights.



Optimum visibility

Application Options

Options such as oil-cooled disc brakes, attachments, foundry and brick protection, and specialty tires can customize the truck for your specific needs, extending equipment service life and minimizing product damage.



Solutions for your applications

Serviceability

With 500 hour service intervals, display-based indicators and reminders and easy access to service components, you can count on maximizing uptime and lowering maintenance costs with your Cat lift truck.



Service time minimized

Delivering Real Material Handling Solutions

A Cat lift truck purchase connects you to a variety of material handling solutions, including world-class service and support from the best dealer network in the industry.

Cat Lift Trucks also offers the most comprehensive support programs in the industry. Highly-skilled service technicians, diverse parts inventory and an outstanding selection of service options, all help to reduce your total cost of ownership and keep your lift trucks performing at their best.



Dealers You Can Depend On

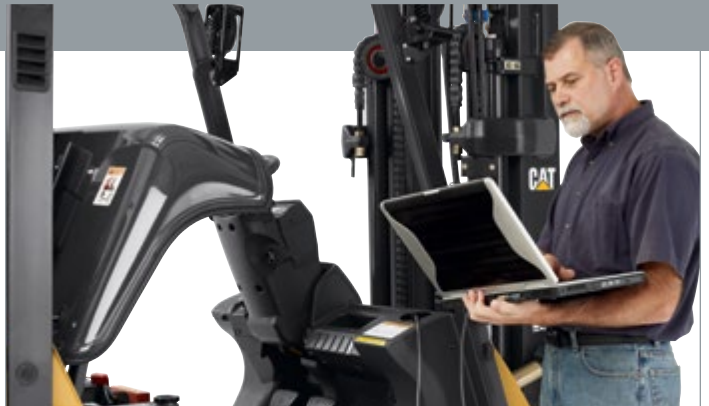
With hundreds of dealer locations, Cat lift truck dealers provide more than lift trucks. From flexible financing options, to parts, service and product support, our dealers are unsurpassed.

Standing Behind Our Products

We deliver peace of mind by helping your trucks stay on the job, day after day. Every new Cat lift truck is covered by a 1-year warranty. With our optional 3 year full warranty and 5-year extended powertrain warranty, you'll have the confidence that only comes from owning a Cat lift truck. Ask your local dealer for more information.



Professionals you can depend on



Keeping you covered



Genuine OEM Parts

When you buy from your local dealer, you can be assured that your OEM part is manufactured to meet original equipment criteria.

Flexible Financing Options*

Financing your next Cat lift truck is easy with our wide range of flexible leasing and purchasing options. Whether you want to finance or lease, your local Cat lift truck dealer can help customize a package tailored to your specific needs.



Genuine Cat Lift Truck OEM parts



Custom financing packages

* Programs may be subject to change without notice and may vary by region. Please ask your local Cat lift truck dealer for complete terms and conditions.

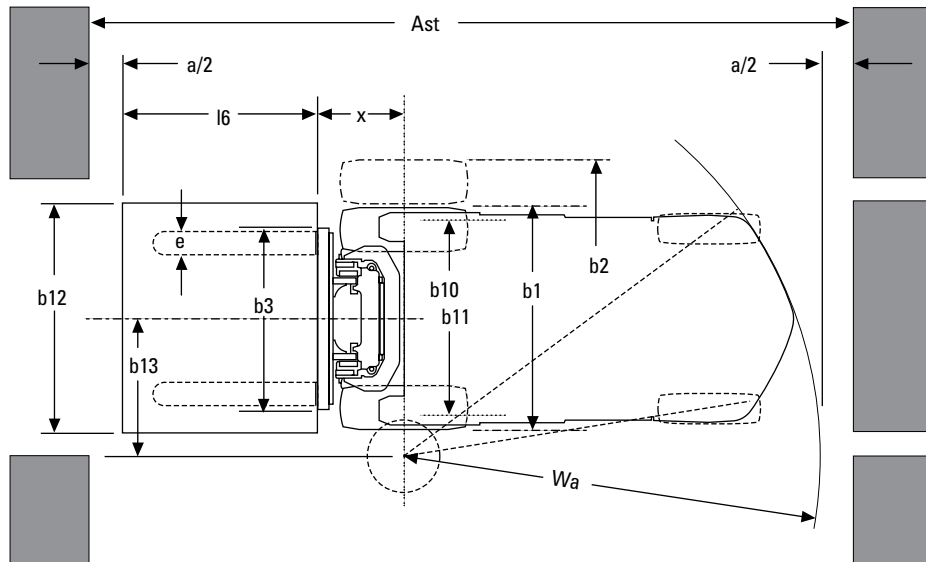
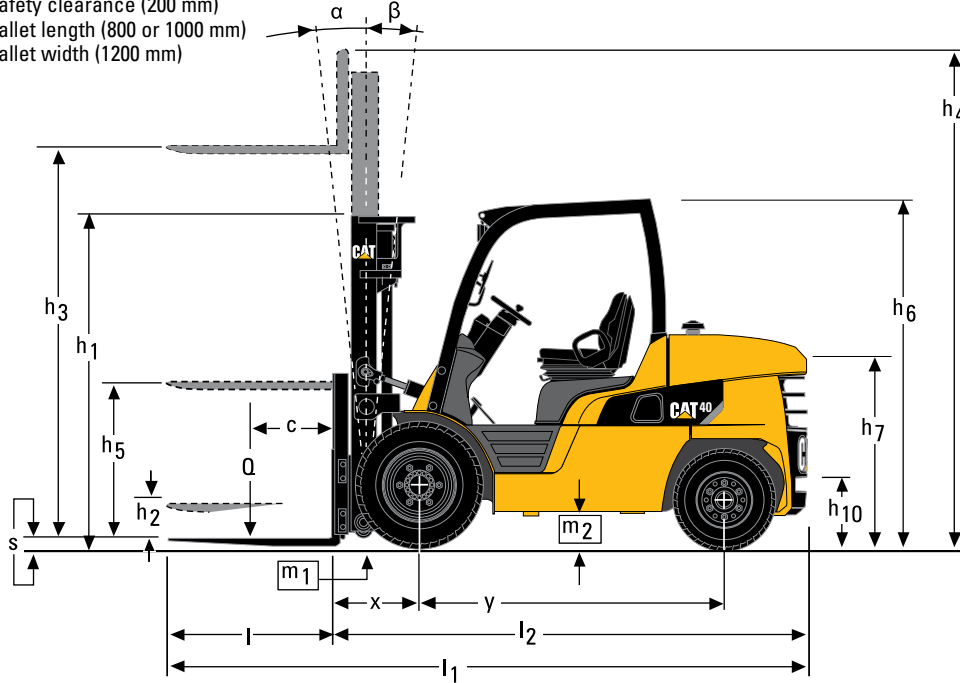
Characteristics			Cat Lift Trucks	Cat Lift Trucks	Cat Lift Trucks	Cat Lift Trucks
			DP40NM1	DP45NM1	DP50CNM1	DP50NM1
1.1	Manufacturer (abbreviation)		Diesel	Diesel	Diesel	Diesel
1.2	Manufacturer's model designation		Seated	Seated	Seated	Seated
1.3	Power source: (battery, diesel, LPG, petrol)					
1.4	Operator type: pedestrian, (operator)-standing, -seated					
1.5	Load capacity	Q (kg)	4000	4500	5000	5000
1.6	Load centre distance	c (mm)	500	500	500	600
1.8	Load distance, axle to fork face	x (mm)	577	577	582	602
1.9	Wheelbase	y (mm)	1850	2000	2000	2150
Weight						
2.1	Truck weight, without load / including battery (simplex mast, lowest lift height)	kg	5920	6330	6850	7300
2.2	Axle loading with maximum load, front/rear (simplex mast, lowest lift height)	kg	8960/960	9710/1130	10600/1250	11020/1280
2.3	Axle loading without load, front/rear (simplex mast, lowest lift height)	kg	2630/3290	2780/3550	2900/3950	3220/4080
Wheels, Drive Train						
3.1	Tyres: V=solid, L=pneumatic, SE=solid pneumatic - front/rear		L/L	L/L	L/L	L/L
3.2	Tyre dimensions, front		8.25-15-14PR	300-15-18PR	300-15-18PR	300-15-18PR
3.3	Tyre dimensions, rear		7.00-12-12PR	7.00-12-12PR	7.00-12-12PR	7.00-12-14PR
3.5	Number of wheels, front/rear (x=driven)		2x / 2	2x / 2	2x / 2	2x / 2
3.6	Track width (centre of tyres), front	b10 (mm)	1175	1175	1175	1175
3.7	Track width (centre of tyres), rear	b11 (mm)	1180	1180	1180	1180
Dimensions						
4.1	Mast tilt, forwards/backwards	α/β °	6/10	6/10	6/10	6/10
4.2	Height with mast lowered (see tables)	h1 (mm)	2320	2320	2400	2400
4.3	Free lift (see tables)	h2 (mm)	150	150	150	160
4.4	Lift height (see tables)	h3 (mm)	3350	3350	3350	3360
4.5	Overall height with mast raised	h4 (mm)	4570	4570	4570	4590
4.7	Height to top of overhead guard	h6 (mm)	2280	2280	2280	2280
4.8	Seat height	h7 (mm)	1082	1082	1082	1082
4.12	Tow coupling height	h10 (mm)	395	395	395	395
4.19	Overall length	l1 (mm)	4220	4350	4390	4530
4.20	Length to fork face (includes fork thickness)	l2 (mm)	3000	3130	3170	3310
4.21	Overall width	b1/b2 (mm)	1415/1965	1460/1965	1460/1965	1460/1965
4.22	Fork dimensions (thickness, width, length)	s, e, l (mm)	50 x 150 x 1220	50 x 150 x 1220	50 x 150 x 1220	60 x 150 x 1220
4.23	Fork carriage to DIN 15 173 A/B/no		3A	3A	3A	4A
4.24	Fork carriage width	b3 (mm)	1190	1190	1190	1190
4.31	Ground clearance under mast, with load	m1 (mm)	150	150	150	150
4.32	Ground clearance at centre of wheelbase, with load (forks lowered)	m2 (mm)	227	227	227	227
4.33	Working aisle width with 1000 x1200 mm pallets, crosswise	Ast (mm)	4357	4507	4542	4692
4.34a	Working aisle width with 800 x1200 mm pallets, lengthwise	Ast (mm)	4157	4307	4342	4492
4.35	Turning circle radius	Wa (mm)	2580	2730	2760	2890
4.36	Minimum distance between centres of rotation	b13 (mm)	836	903	903	971
Performance						
5.1	Travel speed, with/without load	km/h	21,5/22,0	21,0/22,0	21,0/22,0	21,0/22,0
5.2	Lifting speed, with/without load	m/s	0,55/0,61	0,55/0,61	0,47/0,53	0,47/0,53
5.3	Lowering speed, with/without load	m/s	0,50/0,50	0,50/0,50	0,50/0,50	0,50/0,50
5.5	Rated drawbar pull, with/without load (@1.6 km/h)	N	27000/17400	27000 / 18700	26500 / 19400	26500 / 21800
5.7	Gradeability, with/without load (@1.6 km/h)	%	29/26	26/27	24/26	23/27
5.9	Acceleration time (10 metres) with/without load	s	-/-	-/-	-/-	-/-
5.10	Service brakes (mechanical/hydraulic/electric/pneumatic)		Hydraulic	Hydraulic	Hydraulic	Hydraulic
IC Engine						
7.1	Manufacturer / Type		S6S	S6S	S6S	S6S
7.2	Rated output to ISO 1585 (S.A.E. gross)	kW	57.5	57.5	57.5	57.5
7.3	Rated speed to DIN 70 020	rpm	2300	2300	2300	2300
7.4	Number of cylinders / cubic capacity	/cm ³	6 / 4996	6 / 4996	6 / 4996	6 / 4996
7.5	Fuel consumption according to VDI 60 cycle	l/h / kg/h	-/-	-/-	-/-	-/-
7.6	Max torque (S.A.E. gross) @ engine speed	Nm / rpm	260 / 1700	260 / 1700	260 / 1700	260 / 1700
Miscellaneous						
8.1	Type of drive control		Powershift 2/1	Powershift 2/1	Powershift 2/1	Powershift 2/1
8.2	Maximum operating pressure for attachments	bar	191	191	191	191
8.3	Oil flow for attachments	l/min	-/-	-/-	-/-	-/-
8.4	Noise level, value at operator's ear (EN 12053)	dB(A)	84	84	84	84
8.5	Towing coupling design / DIN type, ref.		Pin	Pin	Pin	Pin

* Contact your local Cat lift truck dealer for information on gas powered models.

	Cat Lift Trucks DP55NM1	Cat Lift Trucks GP40N1	Cat Lift Trucks GP45N1	Cat Lift Trucks GP50CN1	Cat Lift Trucks GP50N1	Cat Lift Trucks GP55N1
	Diesel	LPG	LPG	LPG	LPG	LPG
	Seated	Seated	Seated	Seated	Seated	Seated
	5500	4000	4500	5000	5000	5500
	600	500	500	500	600	600
	602	577	577	582	602	602
	2150	1850	2000	2000	2150	2150
	7640	5860	6270	6780	7240	7570
	11740/1400	8940/920	9680/1090	10570/1210	10990/1250	11710/1360
	3170/4470	2610/3250	2750/3520	2870/3920	3190/4050	3130/4440
	SE/SE	L/L	L/L	L/L	L/L	SE/SE
	300-15/8.00	8.25-15-14PR	300-15-18PR	300-15-18PR	300-15-18PR	300-15/8.00
	7.00-12/5.00	7.00-12-12PR	7.00-12-12PR	7.00-12-12PR	7.00-12-14PR	7.00-12/5.00
	2x / 2	2x / 2	2x / 2	2x / 2	2x / 2	2x / 2
	1175	1175	1175	1175	1175	1175
	1180	1180	1180	1180	1180	1180
	6/10	6/10	6/10	6/10	6/10	6/10
	2400	2320	2320	2400	2400	2400
	160	150	150	150	160	160
	3360	3350	3350	3350	3360	3360
	4590	4570	4570	4570	4590	4590
	2280	2280	2280	2280	2280	2280
	1082	1082	1082	1082	1082	1082
	395	395	395	395	395	395
	4580	4220	4350	4390	4530	4580
	3360	3000	3130	3170	3310	3360
	1460/1965	1415/1965	1460/1965	1460/1965	1460/1965	1460/1965
	60 x 150 x 1220	50 x 150 x 1220	50 x 150 x 1220	50 x 150 x 1220	60 x 150 x 1220	60 x 150 x 1220
	4A	3A	3A	3A	4A	4A
	1190	1190	1190	1190	1190	1190
	150	150	150	150	150	150
	227	227	227	227	227	227
	4742	4357	4507	4542	4692	4742
	4542	4157	4307	4342	4492	4542
	2940	2580	2730	2760	2890	2940
	971	836	903	903	971	971
	21,0/22,0	22,0/22,5	22,0/22,5	22,0/22,5	22,0/22,5	21,5/22,5
	0,47/0,53	0,57/0,60	0,57/0,60	0,49/0,52	0,49/0,52	0,49/0,52
	0,50/0,50	0,50/0,50	0,50/0,50	0,50/0,50	0,50/0,50	0,50/0,50
	26000 / 21300	28000/17200	27500/18500	27500/19200	27000/21600	27000/21000
	21/25	30/26	27/26	25/25	23/26	22/25
	-/-	-/-	-/-	-/-	-/-	-/-
	Hydraulic	Hydraulic	Hydraulic	Hydraulic	Hydraulic	Hydraulic
	S6S	GCT GK45	GCT GK45	GCT GK45	GCT GK45	GCT GK45
	57.5	72	72	72	72	72
	2300	2450	2450	2450	2450	2450
	6 / 4996	6 / 4452	6 / 4452	6 / 4452	6 / 4452	6 / 4452
	-/-	- / 5,3	- / 5,9	- / 6,2	- / 6,3	- / 7,1
	260 / 1700	288 / 1600	288 / 1600	288 / 1600	288 / 1600	288 / 1600
	Powershift 2/1	Powershift 2/1	Powershift 2/1	Powershift 2/1	Powershift 2/1	Powershift 2/1
	191	191	191	191	191	191
	-/-	-/-	-/-	-/-	-/-	-/-
	84	84	84	84	84	84
	Pin	Pin	Pin	Pin	Pin	Pin

NOTE: These specifications assume the use of drive axles, tires, and tilt angles specified. Any modification to specifications, or any other combination of specifications made after the shipment of the truck, requires prior written approval from Mitsubishi Caterpillar Forklift America Inc. (MCF). (See ANSI/ITSDF B56.1) Also be advised that overall operating visibility may be affected by the mast configuration and mast options of your lift truck. Therefore, you may need to add ancillary [auxiliary] devices or modify your operating practices. Consult your dealer for further information.

$A_{st} = W_a + x + l_6 + a$
 A_{st} = Working aisle width with load
 a = Safety clearance (200 mm)
 l_6 = Pallet length (800 or 1000 mm)
 b_{12} = Pallet width (1200 mm)



Safety Standards

These trucks meet American National Standards Institute/ Industrial Truck Standards Development Foundation, ANSI/ITSDF B56.1. UL-Classified by Underwriters Laboratories, Inc., as to fire and electric shock hazard only; Type G, G/LP, LP, D (standard). Type GS, LPS and DS. Users should be aware of, and adhere to, applicable codes and regulations regarding operator training, use, operation and maintenance of powered industrial trucks, including:

- ANSI/ITSDF B56.1.
- NFPA 505, fire safety standard for powered industrial trucks - type designations, areas of use, maintenance, and operation.
- Occupational Safety and Health Administration (OSHA) regulations that may apply.

Specifications, equipment, technical data, photos and illustrations based on information at time of printing and subject to change without notice. Some products may be shown with optional equipment.

Enhance your Experience

Cat lift trucks come fully equipped with features and options that allow you to get the job done. For those applications that require an extra level of protection for the truck and operator — including wet, dusty, high-shuttle and other harsh environments — Cat Lift Trucks offers several options that can enhance the productivity of your material handling fleet.



Panel Cab Options:

- Front windshield with wiper
- Top panel with tempered glass for optimal viewing
- Back panel with fold-out glass panel and wiper
- Steel doors
- Heater
- Fan

Oil-Cooled Disc Brakes

Fully-enclosed oil-cooled disc brakes can improve uptime and lower maintenance costs in dusty or dirty applications.

Productivity Enhancing Options

Improve productivity with options, such as wet-disc brakes, which include enhanced systems such as ProShift™, auto-deceleration and controlled rollback to slow and control the truck. This braking system doesn't use the transmission for braking, which helps prevent premature component wear.



Your Partner in Materials Handling

Experienced professionals at your local dealership can assist you with your lift truck purchase or lease. Your Cat lift truck dealer can provide options and additional visual and audible warning devices geared toward your specific requirements. Operator training programs are also available to boost productivity and to help reduce the potential for product damage and personal injury.

Internal Combustion Pneumatic Tire Lift Trucks

4.0 - 5.5 tonnes

www.catliftruck.com

© 2018. MCFE.

All Rights Reserved. CAT, CATERPILLAR, BUILT FOR IT, their respective logos, "Caterpillar Yellow," the "Power Edge" trade dress as well as corporate and product identity used herein, are trademarks of Caterpillar and may not be used without permission. Some products may be shown with optional equipment.

CEGC1889AME-H 04/18

