

MASABA



www.masabainc.com

Screen Plant

Portable 7x20 TD Screen Plant

Main Frame and Chassis

- Tandem Axle
- Main Frame constructed of heavy duty wide flange beam
- Total Weight: **65,000 lbs**
 - Kingpin: 39,000 lbs
 - Axle: 26,000 lbs
- Walkway and Ladder
 - diamond deck walkway
 - double handrails
 - kickplate
 - (1) aluminum access ladder
- (8) 11R x 22.5 radial tires
- Brakes
- Lights
- Mudflaps

(2) 24" Reversible Cross Conveyors

- **5 hp**
- Reversible
- CEMA B Idlers
- 2 Ply Belting with Mechanical Splice
- Dodge TXT#3 Gear Reducer
- Belt Scraper

48" Underscreen Conveyor

- **10 hp**
- Dodge TXT#4 Gear Reducer
- CEMA B Idlers
- 2 Ply Belting with Mechanical Splice
- Belt Scraper

Screen System

- **40 hp, 1200 rpm**
- Screen Overs Chutes
 - 3/8" AR steel
 - Top, center decks with (4) blending gates
- Underscreen Hopper
 - 1/4" mild steel
 - adjustable rubber flashing

Features

- (2) Crank-Down Landing Jacks
- (1) Coat 2 part Urethane Paint
- (1) Coat 2 part Urethane Primer
- Steel-shot blasted
- (2) Owner's manual for start-up and maintenance
- Guarding

Options

- Switchgear
 - NEMA 4 Enclosure
 - (2) Extra Starters for 20 hp off plant motors
- (2) Bluewater Safety Gates
- Easy Manual Rollaway Chutes
- Hydraulic Rollaway Chutes
 - with 13 hp Honda power unit
- (4) Masaba Brute Run On Jacks
- Vulcanized Belt Splice
- Toolbox

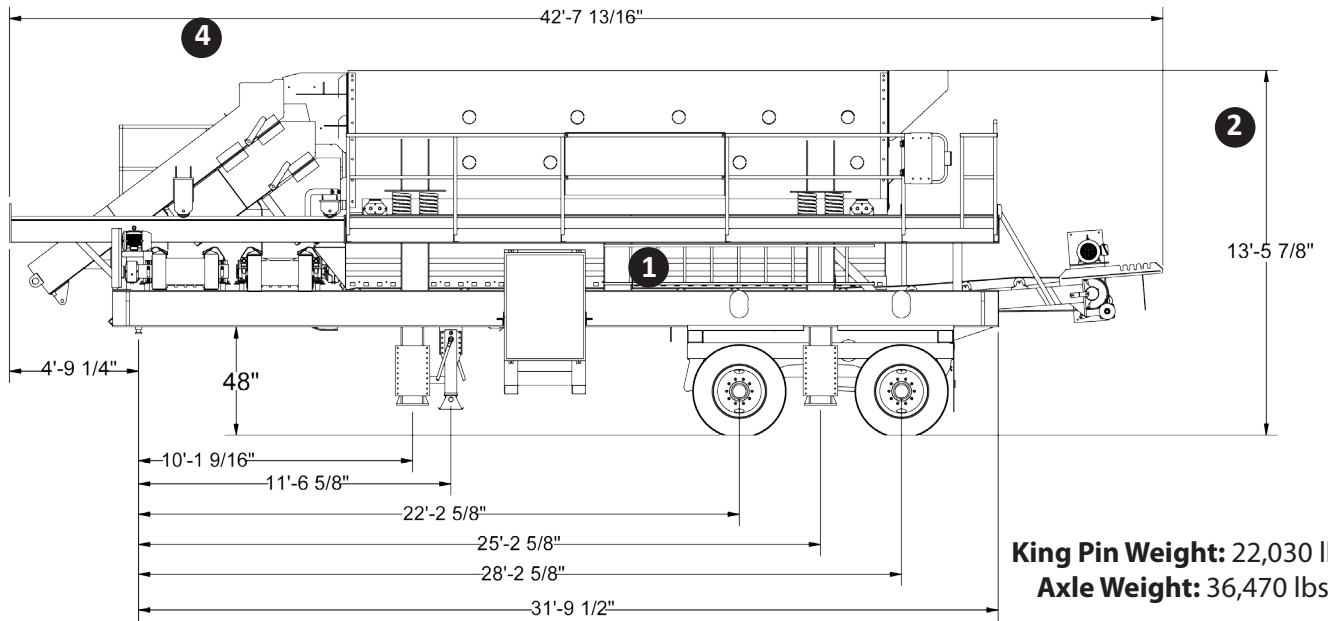
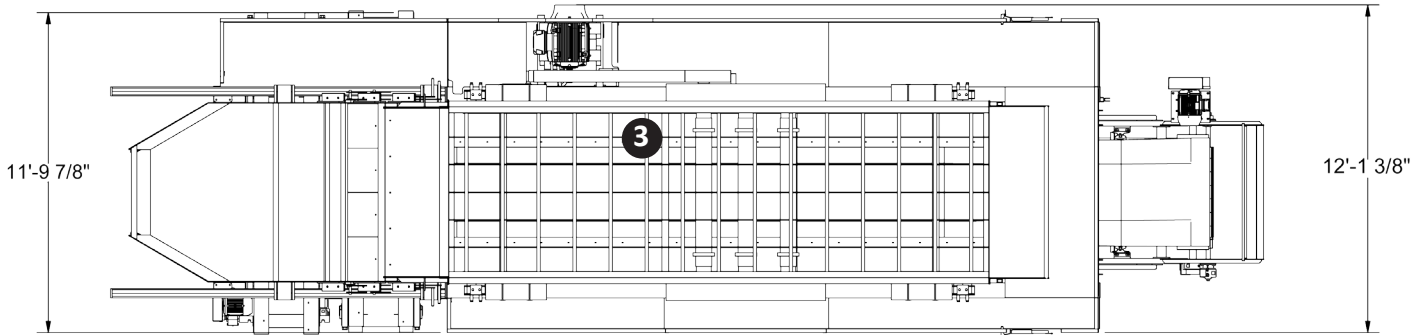
STRENGTH
YOU CAN DEPEND ON!

MASABA

1617 317th Street - PO Box 345, Vermillion, South Dakota 57069 USA, www.masabainc.com, 877-627-2220 or 605-624-9555

BENEFITS OF MASABA

For convenient and reliable material sorting, you can't beat a MASABA Portable Screen Plant. The 6x20 Low Profile TD Plant is built on the strongest Heavy Duty Chassis (1) in the industry. Designed for convenience, this Screen Plant has a feed height of less than 13'6" (2) for easy integration into your operation. As material is sorted through the Triple Deck Screen (3), oversized material flows through 3/8" AR Steel Overs Chutes (4).



King Pin Weight: 22,030 lbs
Axle Weight: 36,470 lbs

NOTE: Listed weights are not exact. Actual weights will vary based on screen size, brand, options, etc.



Twin 24" Cross Conveyors



3/8" AR steel Screen Chutes



Diamond Plated Platform
with Double Railings



MASABAinc.com
1-877-627-2220
info@MASABAinc.com

REVISION December 2013

NOTE: SPECIFICATIONS ARE SUBJECT TO CHANGE WITHOUT NOTICE: Because MASABA, Inc. may use in its catalog & literature, field photographs of its products which may have been modified by the owners, products furnished by MASABA, Inc. may not necessarily be as illustrated therein. Also continuous design progress makes it necessary that specifications be subject to change without notice. All sales of the products of MASABA, Inc. are subject to the provisions of its standard warranty. MASABA, Inc. does not warrant or represent that its products meet any federal, state, or local statutes, codes, ordinances, rules, standards or other regulations, including OSHA and MSHA, covering safety pollution, electrical, wiring, etc. Compliance with these statutes and regulations is the responsibility of the user and will be dependent upon the area and the use to which the product is put by the user. In some photographs, guards may have been removed for illustrative purposes only. This equipment should not be operated without all guards attached in their normal position. Placement of guards and other safety equipment is often dependent upon the area and the use to which the product is put. A safety study should be made by the user of the application, and, if required, additional guards, warning signs and other safety devices should be installed by the user, wherever appropriate before operating the products.