

A large industrial machine, identified as a Nordberg NP Series by Metso, is mounted on a complex steel framework. The machine is white with a red protective cover on its lower section. The Metso logo is visible on the side of the machine. The structure consists of various steel beams, railings, and stairs, suggesting a multi-level industrial facility. The background shows a clear blue sky.

Nordberg®
NP Series™

Nordberg® NP Series™

Why choose Metso's impact crusher?

High performance

- High capacity
- High reduction ratio
- Less sensitive to sticky material than other machines
- High-quality end product, cubical shape

High efficiency

- Quick and easy installation
- Easy to operate
- High mechanical reliability
- High machine availability

Maintenance friendly

- Easy blow bar attachment
- Self Rotor Rotation (SRR)
- Safety devices

Adaptable to all applications

- Wide choice of blow bars and liners
- Third breaker plate
- Full hydraulic setting
- Metso IC™ crusher automation



Impact crushers Nordberg® NP Series™

Metso's focus on customer success is clearly demonstrated in the development of the Nordberg® NP Series™ impact crusher. We have been building impact crushers for 60 years, so we know that our customers are looking for high performance to boost profitability. By combining the best technical solutions, our crushers provide a reliability that lets you focus on your operations.

Crusher efficiency

Nordberg NP Series impact crushers have a unique blow-bar attachment system that provides a higher degree of reliability. NP Series impact crushers are designed to minimize maintenance, to improve adjustment operations and to deliver unbeatable performance in primary, secondary, tertiary and recycling applications.

Plant profitability

NP Series impact crushers feature a unique combination of heavy rotor and crushing chamber design in addition to materials selected for their outstanding wear resistance. This combination has proved revolutionary in improving capacity and product quality while further reducing operating and wear costs.

Benefits

- Process performance
- Maintenance friendly
- Easy operation

Nordberg® NP Series™ Impact crushers

Nordberg NP Series impact crushers feature a unique combination of heavy rotor design, materials selected for good wear resistance and crusher chamber design. This combination has proven revolutionary in improving capacity and product quality and in reducing operating and wear costs. NP Series impact crushers deliver unbeatable performances in primary, secondary, tertiary and recycling applications.

Configured for your needs

NP Series impact crushers are the solution when output and productivity demands are increasingly stringent, from quarry to industrial applications and from mining to recycling. It's easy to build your own crusher configuration – by adding options for your application – like a full hydraulic breaker plate adjustment setting, a third breaker plate or different grades of steel and cast iron for the blow bars with the possibility for ceramic inserts. The Self Rotor Rotation system (SRR) is available across the NP range and is part of Metso's ongoing effort to innovate and find ways to enhance the quality, ease of use, and safety of its products. Metso IC™ crusher automation controls the crusher operation and gives a perfect and complete overview of performance.

High performance from NP Series

NP Series impact crushers feature a unique blow-bar attachment system. Combined with perfect blow-bar alignment on the crossbeam contact faces, this reduces risks of breakage and makes it possible to push the use of cast iron for blow bars beyond conventional limits. The rotor with high inertia

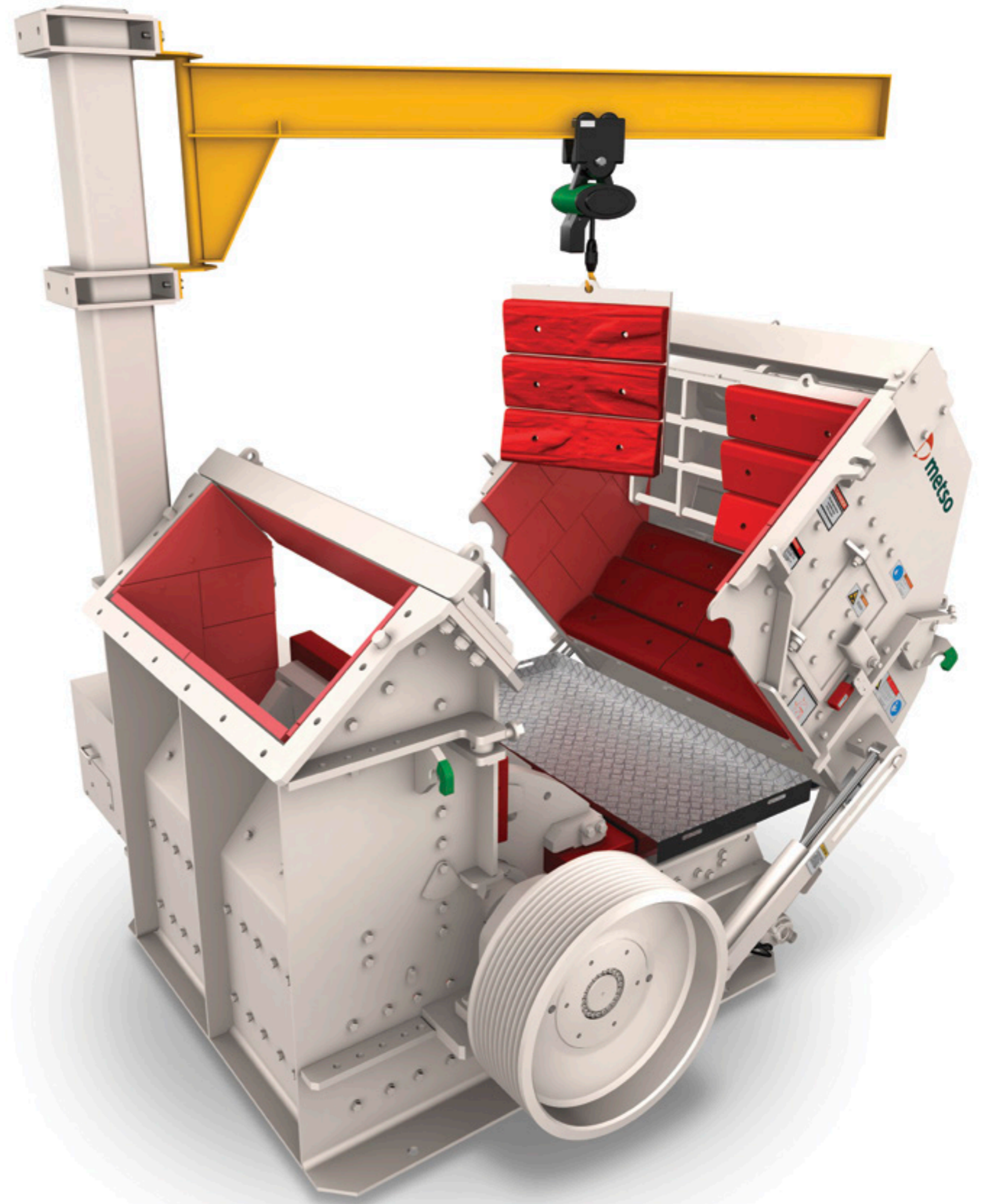
improves crushing reduction and provides stability in the process, reducing energy consumption and increasing long-term performance.

Reduced plant operating costs

Continuous collaboration with research laboratories results in state-of-the-art technical innovations in terms of durability of wear parts and reliability of mechanical components. Higher reduction with fewer crushing stages lowers your capital costs and saves energy. Mechanical reliability, and simplified process, easy machine operation, and easy and safe maintenance increase the global availability of the plant and profitability.

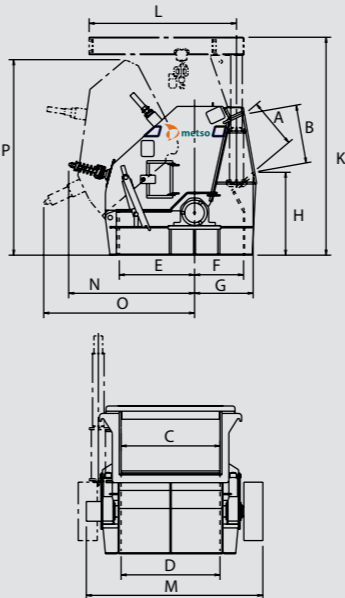
Benefits of Nordberg NP Series

- High end-product value
- High plant availability
- Adaptable for all applications
- High quality for low CAPEX





Nordberg® NP Series™



Main dimensions and weights

NP Model		Crusher complete	Rotor complete	Rotor diameter	Rotor width
Primary range	NP1313™	17 800 kg 39 249 lbs	6 340 kg 13 980 lbs	1 300 mm 51 1/4"	1 300 mm 51 1/4"
	NP1415™	22 330 kg 49 230 lbs	8 165 kg 18 004 lbs	1 400 mm 55 1/8"	1 500 mm 59 1/8"
	NP1620™	41 240 kg 90 920 lbs	15 980 kg 35 236 lbs	1 600 mm 63"	2 000 mm 78 3/4"
	NP2023™	80 600 kg 177 700 lbs	28 280 kg 62 357 lbs	2 000 mm 78 3/4"	2 300 mm 90 5/8"
Secondary range	NP1110™	9 250 kg 20 396 lbs	3 065 kg 6 758 lbs	1 100 mm 43 1/4"	1 000 mm 39 3/8"
Secondary & tertiary	NP13™	11 700 kg 25 700 lbs	4 850 kg 10 700 lbs	1 200 mm 47 1/4"	1 300 mm 51 1/4"
	NP15™	16 130 kg 35 567 lbs	6 370 kg 14 046 lbs	1 300 mm 51 1/4"	1 500 mm 59 1/8"
	NP20™	26 750 kg 58 975 lbs	12 025 kg 26 510 lbs	1 500 mm 59 1/8"	2 000 mm 78 3/4"

Clearance dimensions (mm/inch)

NP Model		A	B	C-D	E	F	G	H	K	L	M	N	O	P	
Primary range	NP1313™	1 050 41 1/4"	1 225 48 1/4"	1 320 52"	1 305 51 3/8"	760 30"	964 38"	1 386 54 1/2"	3 765 148 1/4"	2 100 82 3/4"	2 560 100 3/4"	2 340 92 1/8"	2 764 108 3/4"	3 405 134"	
	NP1415™	1 140 44 1/8"	1 320 52"	1 540 60 3/8"	1 305 51 3/8"	800 31 1/2"	998 39 1/4"	1 430 56 1/4"	4 000 157 1/2"	2 295 90 1/4"	2 811 111"	2 425 95 1/2"	2 830 111"	3 600 141 3/4"	
	NP1620™	1 400 55 1/8"	1 634 64 1/4"	2 040 80 1/4"	1 600 63"	920 36 1/4"	1 270 50"	1 772 69 3/4"	4 950 194 7/8"	3 000 118 1/8"	3 820 150"	3 820 103 1/2"	2 630 122"	3 105 173 1/4"	4 400
	NP2023™	1 720 67 3/4"	1 986 78 1/4"	2 310 91"	2 210 87"	1 140 44 7/8"	1 631 64 1/4"	2 273 89 1/2"	6 000 236 1/4"	3 930 154 3/4"	4 424 174 1/4"	3 520 138 3/8"	4 100 161 3/8"	5 514 217"	
Secondary range	NP1110™	710 28"	820 32 1/4"	1 020 40 1/8"	1 105 43 1/2"	652 25 3/8"	796 31 1/4"	1 125 44 1/4"	3 055 120 1/4"	1 800 70 7/8"	2 106 82 7/8"	1 830 72"	2 030 80"	2 716 107"	
Secondary & tertiary	NP13™	560 22"	560 22"	1 320 52"	1 106 43 1/2"	705 27 3/4"	797 31 3/8"	1 558 61 3/8"	3 481 137"	3 050 120"	2 531 100"	1 980 78"	3 050 120"	2 500 98"	
	NP15™	600 23 3/8"	600 23 3/8"	1 540 60 3/8"	1 177 46 3/8"	700 30 3/8"	845 33 1/4"	1 670 65 3/4"	3 840 151"	3 055 120"	3 785 110"	2 050 80 3/4"	3 250 127 7/8"	2 700 106 1/4"	
	NP20™	700 27 3/16"	700 27 3/16"	2 040 80 3/16"	1 368 53 7/8"	885 34 13/16"	974 38 3/8"	1 932 76 1/8"	4 157 163 11/16"	4 000 157 1/2"	3 720 146 7/16"	2 284 89 13/16"	3 663 144 3/16"	3 088 121 3/16"	

Technical data

NP Model	Feed opening	Maximum feed size	Nominal installed power	Maximum installed power
Primary range	NP1313™	1 320 x 1 225 mm (52" x 48 1/4")	200 kW / 250 hp	250 kW / 350 hp
	NP1415™	1 540 x 1 320 mm (60 3/8" x 52")	250 kW / 350 hp	315 kW / 400 hp
	NP1620™	2 040 x 1 634 mm (80 1/4" x 64 1/4")	400 kW (2x200 kW) / 500 HP (2x250 hp)	500 kW (2x250 kW) / 700 HP (2x350 hp)
	NP2023™	2 310 x 1 986 mm (91" x 78 1/4")	1 000 kW (2x500 kW) / 1 300 HP (2x650 hp)	1 200 kW (2x600 kW) / 1 600 HP (2x800 hp)
Secondary range	NP1110™	1 020 x 820 mm (40 1/4" x 32 1/4")	160 kW / 200 hp	200 kW / 250 hp
Secondary & tertiary	NP13™	1 320 mm x 560 mm (52" x 22")	250 kW / 350 hp	315 kW / 400 hp
	NP15™	1 540 x 600 mm (60 3/8" x 24")	315 kW / 400 hp	355 kW / 450 hp
	NP20™	2 040 x 700 mm (80 3/8" x 27 3/16")	500 kW (2x250 kW) / 700 HP (2x350 hp)	630 kW (2x315 kW) / 800 HP (2x400 hp)